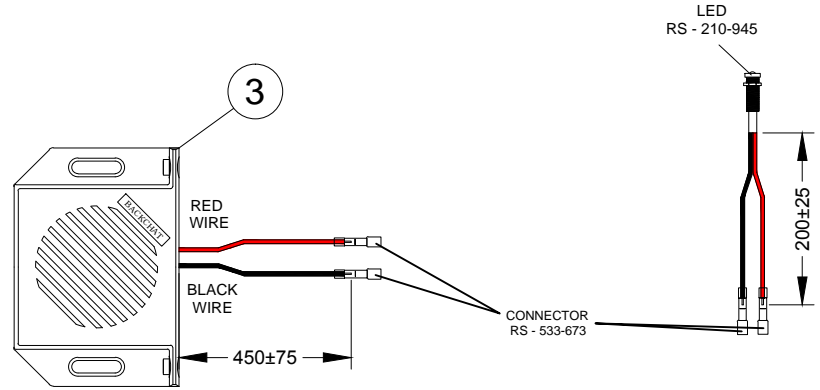
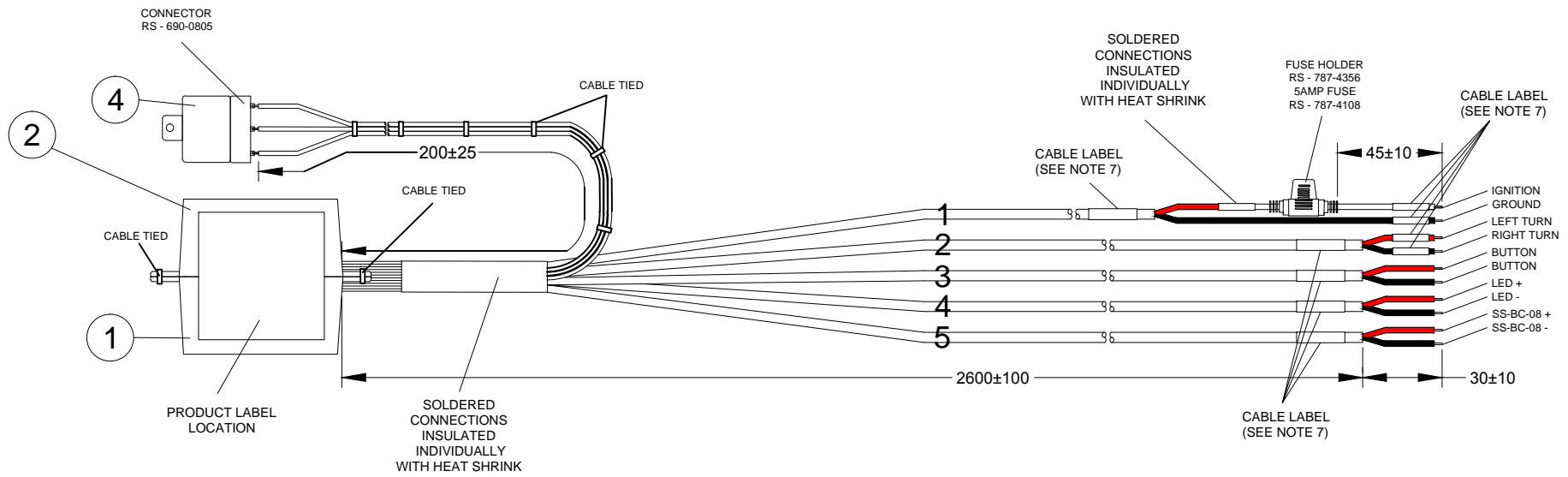


Revision Notes.				
R1 -				
APA: -	Drawn:-	Checked:-	Approved:-	Date: -



PRINT PROPERTIES			
CABLE No.	MAIN LABEL	RED	BLACK
1	POWER INPUT	IGN +	GND -
2	TURN SIGNAL INPUT	L/H	R/H
3	BUTTON	-	-
4	LED OUTPUT	-	-
5	SS-BC-08 OUTPUT	-	-

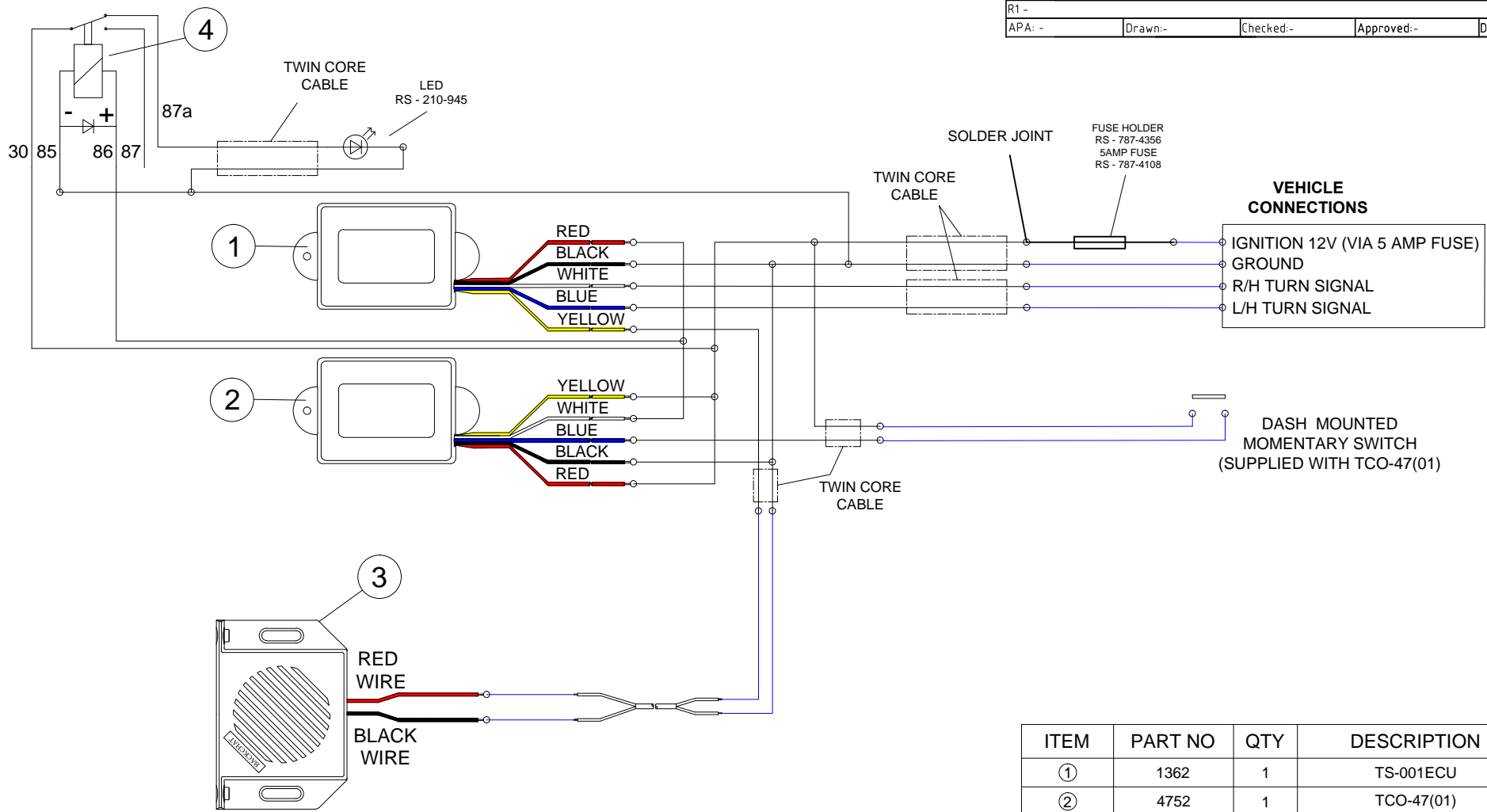
ITEM	PART NO	QTY	DESCRIPTION
①	1362	1	TS-001ECU
②	4752	1	TCO-47(01)
③	1334	1	SS-BC-08
④	4215	1	UDS-RELAY-12
⑤	N/A	1	4m CABLE(NOT SHOWN)

- NOTES:
- REFER TO SCHEMATIC FOR CONNECTION DETAIL ON PAGE 2.
  - ALL ASSEMBLED CONNECTIONS SOLDERED AND INDIVIDUALLY INSULATED WITH HEATSHRINK.
  - UN-TERMINATED CABLE END INSULATION TO BE TRIMMED BACK APPROX. 5mm (NOT TINNED).
  - RED HEAT SHRINK BUTT-SPLICES TO BE FITTED TO LED & SS-BC-08. 4 LEFT IN BAG.
  - ALL PARTS TO BE PLACED IN A PRESS SEAL BAG WITH 4m TWIN CORE CABLE.
  - WRAP AROUND CABLE LABEL DETAIL : REFER TO PRINT PROPERTIES TABLE.
  - CONNECTORS, FUSE & LED MAY CHANGE IN APPEARANCE BUT FUNCTION SHOULD REMAIN THE SAME.
  - 4000±100mm OF TWIN CORE CABLE SUPPLIED.
  - CABLE SPECIFICATION: 20 AWG
  - FOR PRODUCT LABEL REFER TO LATEST REVISION OF DRAWING BE-003030-XX-14
  - REMOVE PIN 87 FROM RELAY HOUSING.

**PROPRIETARY NOTICE**  
 THIS DESIGN AND TECHNICAL INFORMATION APPEARING ON THIS DRAWING IS THE PROPERTY OF BRIGADE ELECTRONICS, AND IS DISCLOSED IN CONFIDENCE. IT IS NOT TO BE COPIED, REPRODUCED, REVEALED TO OR EXPROPRIATED BY OTHERS, EITHER IN WHOLE OR IN PART WITHOUT THE EXPRESS WRITTEN CONSENT OF BRIGADE ELECTRONICS.

Customer Approval -	Sheet No 1 of 2	Assembly Pl Approval C.PURT 02.06.16	Approved by B.CHILDS	Checked by R.BATES	Drawn by M.POTTER
 <a href="http://www.brigade-electronics.com">www.brigade-electronics.com</a>		Angle of Projection  Third Angle	Units mm	Scale N/A	Released 07.06.16
			Status RELEASED	SS-BC-08(02)	
			Part No 5168	BE-003427-00-16	
FrameV3					

Revision Notes:  
 R1 -  
 APA: - Drawn: - Checked: - Approved: - Date: -



ITEM	PART NO	QTY	DESCRIPTION
①	1362	1	TS-001ECU
②	4752	1	TCO-47(01)
③	1334	1	SS-BC-08
④	4215	1	UDS-RELAY-12
⑤	N/A	1	4m CABLE(NOT SHOWN)

NOTES:  
 1. SCHEMATIC: FOR CONNECTION DETAIL ONLY

**PROPRIETARY NOTICE**  
 THIS DESIGN AND TECHNICAL INFORMATION APPEARING ON THIS DRAWING IS THE PROPERTY OF BRIGADE ELECTRONICS, AND IS DISCLOSED IN CONFIDENCE. IT IS NOT TO BE COPIED, REPRODUCED, REVEALED TO OR EXPROPRIATED BY OTHERS, EITHER IN WHOLE OR IN PART WITHOUT THE EXPRESS WRITTEN CONSENT OF BRIGADE ELECTRONICS.

Customer Approval T.PEARSON 27.04.16	Sheet No 2 of 2	Assembly Pl Approval C.PURT 02.06.16	Approved by B.CHILDS	Checked by R.BATES	Drawn by M.POTTER
<b>BRIGADE</b> <a href="http://www.brigade-electronics.com">www.brigade-electronics.com</a>		Angle of Projection Third Angle	Units mm	Scale N/A	Released 07.06.16
			Status RELEASED	Assembly Ref N/A	
			Part No 5168	SS-BC-08(02) BE-003427-00-16	